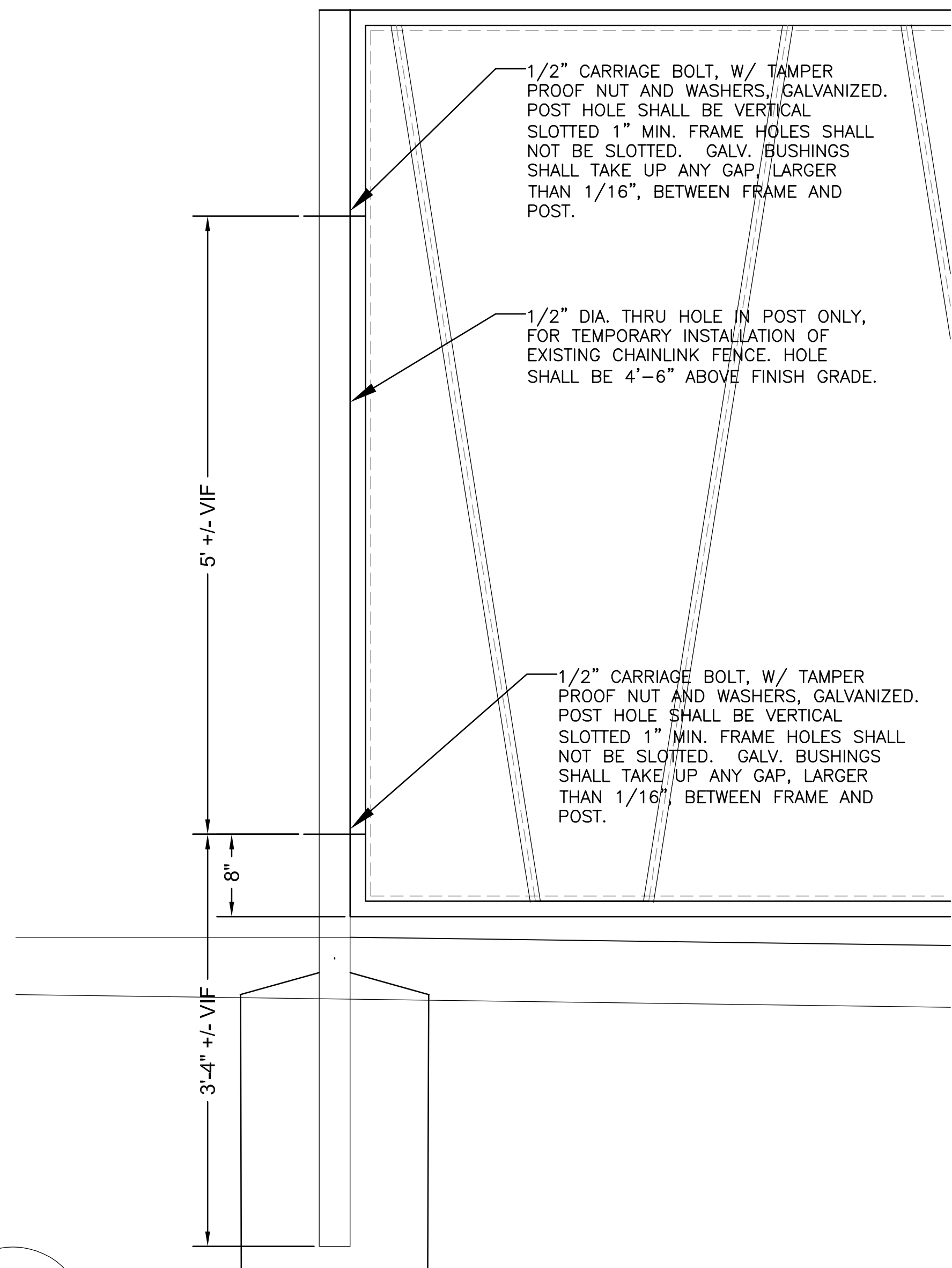
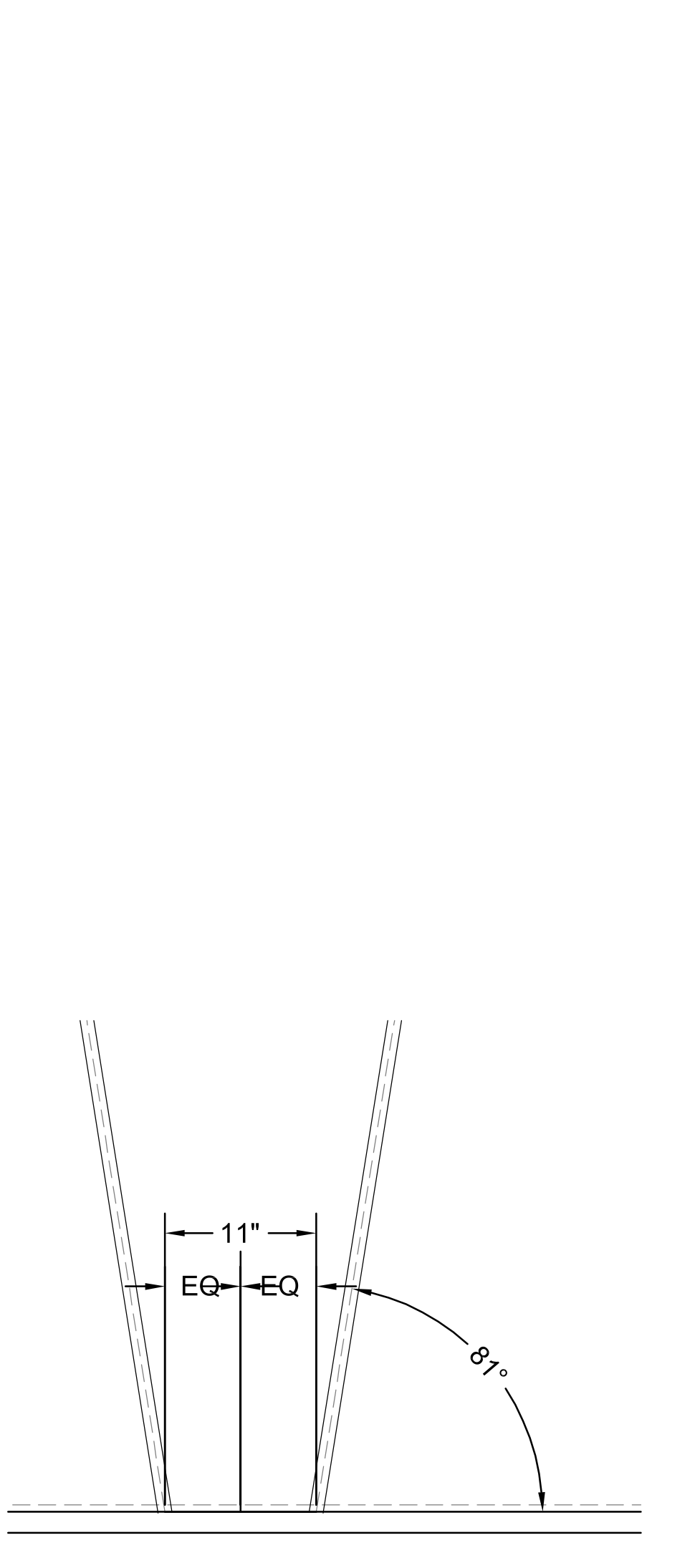


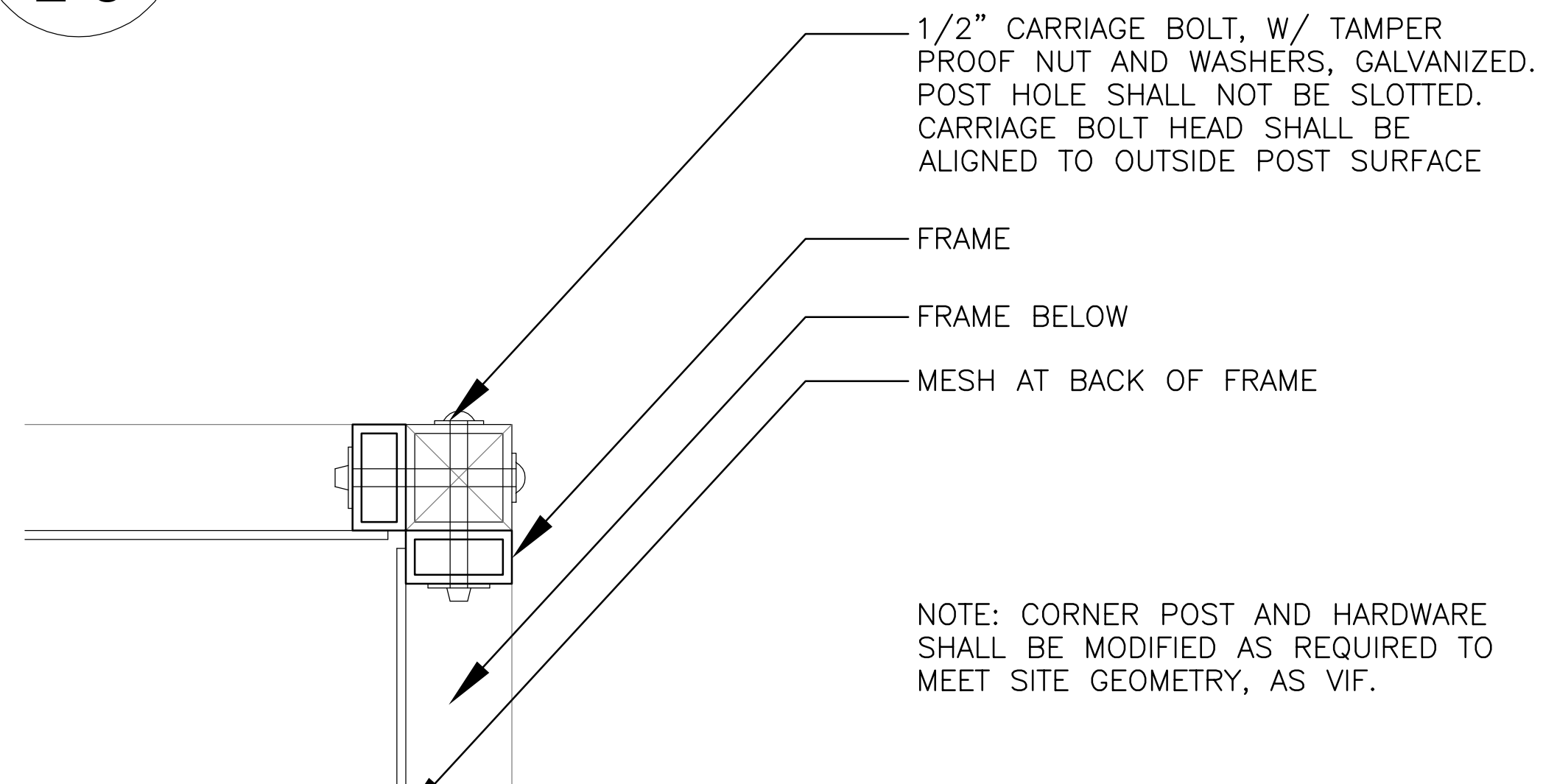
**1**  
L-5  
GROWING FENCE ELEVATION



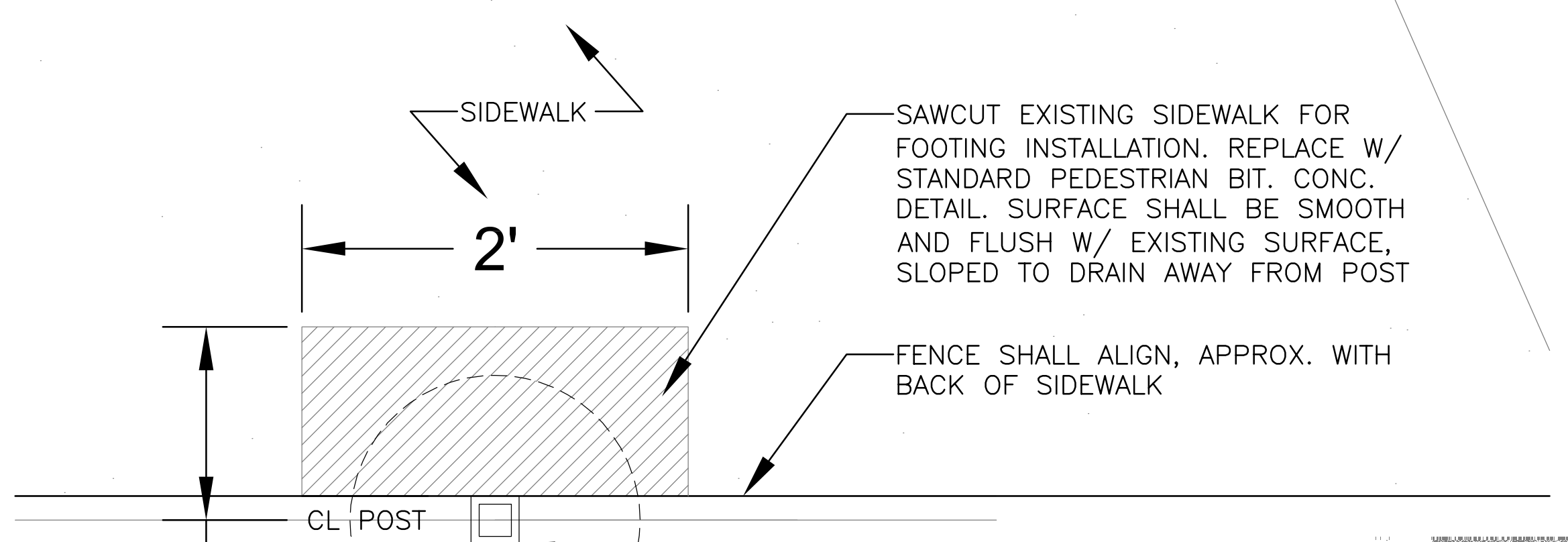
**2**  
L-5  
GROWING FENCE POST DETAIL



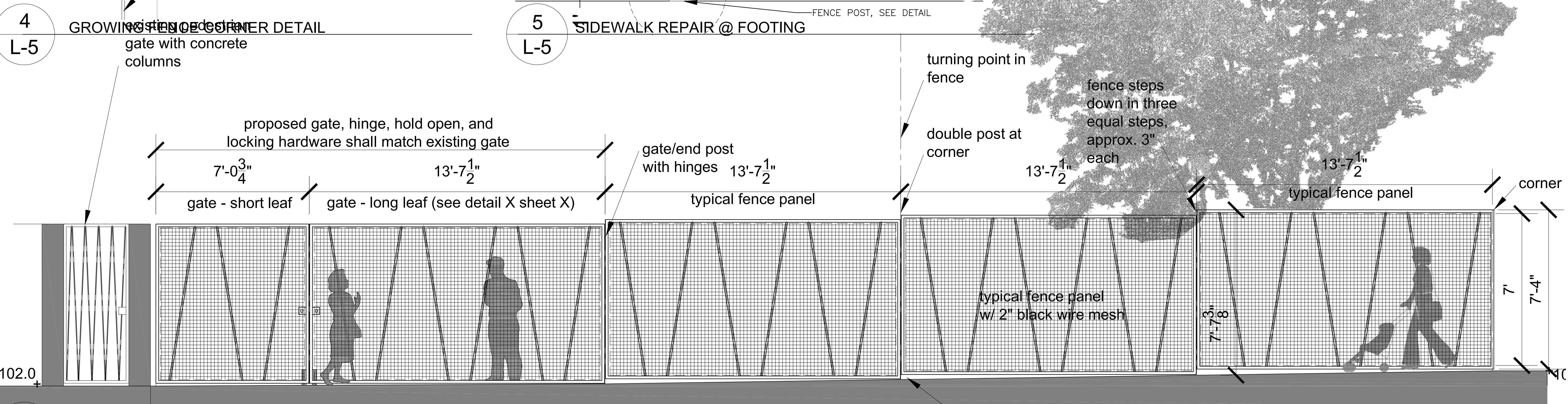
**3**  
L-5  
GROWING BARS - DETAIL



**4**  
L-5  
GROWING FENCE CORNER DETAIL



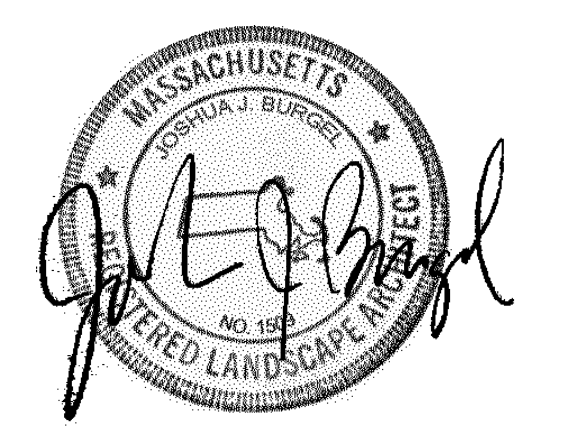
**5**  
L-5  
SIDEWALK REPAIR @ FOOTING



**6**  
L-5  
SHAWMUT STREET FENCE ELEVATION

PRINCIPAL IN CHARGE  
**Jonathan Keep**  
 P.O. Box 86  
 Lincoln, Massachusetts 01773  
 E: jonathan@jonathankeep.com  
 W: www.jonathankeep.com  
 P: 781.259.0240  
 LANDSCAPE ARCHITECT  
**Joshua Burgel**  
 25C South Commons  
 Lincoln, Massachusetts 01773  
 P: 617.899.3823  
 E: joshua.burgel@gmail.com  
 ORIGINAL DESIGNER  
**Studio LANDA**  
 (75% Design completed October 1, 2002)

REVISIONS


LANDSCAPE ARCHITECT  
  
 stamped DECEMBER 21, 2007

DRAWING INFORMATION  
 date DECEMBER 21, 2007  
 scale 1" = 20'-0"  
 drawn by / checked by LandA & JB / JK

title / sheet no.  
 FENCE DETAILS AND ELEVATIONS  
**L-5**